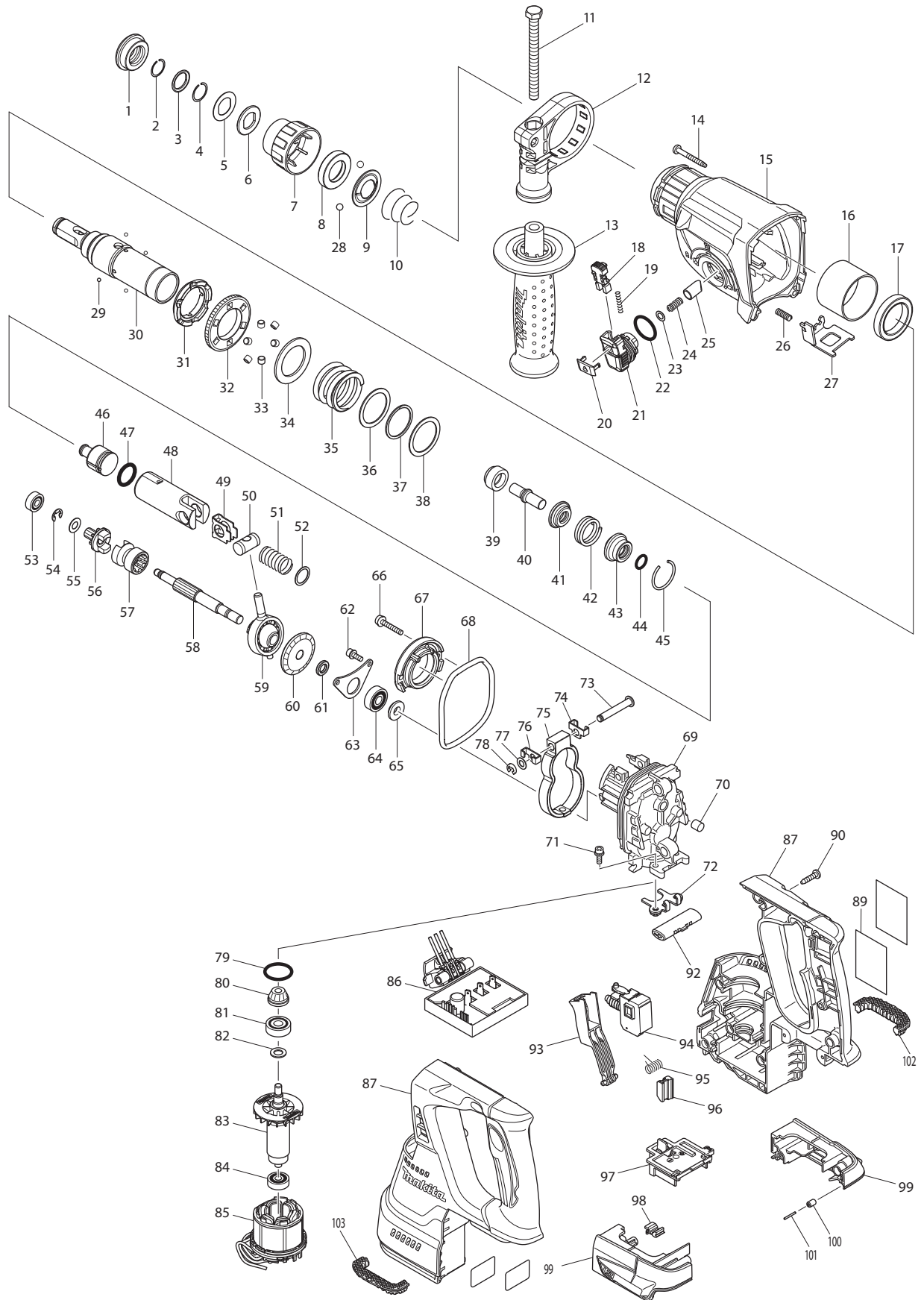




04 - 2012
LXRH01 / LXRH011 / LXRH01Z
18V BRUSHLESS ROTARY HAMMER KIT
(SDS-PLUS, 3 MODE)



Item N	Type	Part No	Description	Qty	Unit
1		286288-8	CAP 35	1	PC.
2		233989-9	RING SPRING 14	1	PC.
3		346221-3	WASHER 16	1	PC.
4		233992-0	RING SPRING 15	1	PC.
5		267437-6	FLAT WASHER 17	1	PC.
6		424364-2	RUBBER WASHER 16	1	PC.
7		451533-2	CHUCK COVER	1	PC.
8		325813-1	RING 21	1	PC.
9		346177-0	GUIDE WASHER	1	PC.
10		233916-6	CONICAL COMP. SPRING 21-29	1	PC.
11		266745-2	HEX.BOLT M8X90	1	PC.
12		453129-5	GRIP BASE	1	PC.
13		158057-6	GRIP 36 COMPLETE	1	PC.
14		266351-3	TAPPING SCREW 4X35	4	PC.
15		141229-0	GEAR HOUSING COMPLETE	1	PC.
	INC.	213345-9	OIL SEAL 25	1	PC.
	INC.	890903-4	INDICATION LABEL (PICTURE)	1	PC.
16		331890-3	CUP SLEEVE	1	PC.
17		211294-4	BALL BEARING 6806LLU	1	PC.
18	1	453130-0	LOCK BUTTON - N/L/A	1	PC.
	2	454112-5	LOCK BUTTON	1	PC.
19		234264-6	COMPRESSION SPRING 3	1	PC.
20		453131-8	CHANGE LEVER COVER	1	PC.
21		453125-3	CHANGE LEVER	1	PC.
22		213381-5	O RING 21	1	PC.
23		253308-3	THIN WASHER 6	1	PC.
24		234147-0	COMPRESSION SPRING 5	1	PC.
25		325785-0	PUSH CORN	1	PC.
26		233360-7	COMPRESSION SPRING 4	1	PC.
27		346537-6	LOCK PLATE	1	PC.
28		216022-2	STEEL BALL 7.0	2	PC.
29		216019-1	STEEL BALL 3	4	PC.
30		140265-3	TOOL HOLDER COMPLETE	1	PC.
31	1	313149-0	* DRIVING FLANGE	1	PC.
	2	332139-4	* DRIVING FLANGE	1	PC.
32	1	227232-6	* SPUR GEAR 51	1	PC.
	2	227360-7	* SPUR GEAR 51	1	PC.
33		268226-2	* PIN 6 - N/A	6	PC.
34		267414-8	* FLAT WASHER 30 - N/A	1	PC.
35		234148-8	COMPRESSION SPRING 31	1	PC.
36		267153-0	FLAT WASHER 30	1	PC.
37		257932-4	SPIRO LOCK WASHER 30	1	PC.
38		267153-0	FLAT WASHER 30	1	PC.
39		325783-4	SLEEVE 9B	1	PC.
40		325789-2	IMPACT BOLT A	1	PC.
41		325792-3	WASHER 10	1	PC.
42		234149-6	COMPRESSION SPRING 20	1	PC.
43		325793-1	O-RING CASE B	1	PC.
44		213073-6	O RING 9	1	PC.
45		233979-2	RING SPRING 28	1	PC.
46		326139-4	STRIKER	1	PC.
47		213258-4	O RING 17.5	1	PC.
48		310345-1	PISTON CYLINDER	1	PC.
49		346036-8	GUIDE PLATE	1	PC.
50		324215-8	PISTON JOINT	1	PC.
51		234098-7	COMPRESSION SPRING 14	1	PC.
52		267447-3	FLAT WASHER 14	1	PC.
53		211012-0	BALL BEARING 606ZZ	1	PC.
54		257336-0	STOP RING EXT U-6	1	PC.
55		253186-1	FLAT WASHER 7	1	PC.
56		227231-8	SPUR GEAR 10	1	PC.
57		331814-9	CLUTCH CAM A	1	PC.

Item N	Type	Part No	Description	Qty	Unit
58		326140-9	CAM SHAFT	1	PC.
59		219020-5	SWASH BEARING 10	1	PC.
60		227588-7	SPIRAL BEVEL GEAR 32	1	PC.
61		257323-9	RING 8	1	PC.
62		922118-6	HEX. SOCKET HEAD BOLT M4X12	2	PC.
63		346038-4	BEARING RETAINER B	1	PC.
64		211032-4	BALL BEARING 608ZZ	1	PC.
65		324212-4	RING 8	1	PC.
66		922147-9	HEX. SOCKET HEAD BOLT M4X25	2	PC.
67		141230-5	INNER SUPPORT COMPLETE	1	PC.
68		213767-3	O RING 75	1	PC.
69		318810-4	INNER HOUSING	1	PC.
70		443153-6	FELT	1	PC.
71		922118-6	HEX. SOCKET HEAD BOLT M4X12	2	PC.
72		346536-8	BEARING RETAINER A	1	PC.
73		256536-9	FLAT FILLISTER HD PIN 6	1	PC.
74		346538-4	WEIGHT HOLDER GUIDE	1	PC.
75		313224-2	COUNTER WEIGHT	1	PC.
76		346538-4	WEIGHT HOLDER GUIDE	1	PC.
77		253726-5	FLAT WASHER 6	1	PC.
78		961018-5	STOP RING E-5	1	PC.
79		213008-7	O RING 22.4	1	PC.
80		141458-5	SPIRAL BEVEL GEAR 11 COMPLETE	1	PC.
81		210024-0	BALL BEARING 608LLU	1	PC.
82		253835-0	FLAT WASHER 8	1	PC.
83		619293-4	ROTOR	1	PC.
84		210022-4	BALL BEARING 626DDW	1	PC.
85	1	629922-1	* STATOR	1	PC.
	2	529922-0	* STATOR ASSY	1	PC.
	3	529187-4	* STATOR ASSY	1	PC.
86	1	620096-1	* CONTROLLER	1	PC.
	2	620241-8	* CONTROLLER	1	PC.
87	1	187382-8	HOUSING SET	1	SET
	INC.	890901-8	CAUTION LABEL FR/SP	1	PC.
	2	187690-7	* HOUSING SET	1	SET
	INC.	890901-8	* CAUTION LABEL FR/SP	1	PC.
87	3	183A39-5	* HOUSING SET	1	SET
	INC.	890901-8	* CAUTION LABEL FR/SP	1	PC.
	4	183C03-8	* HOUSING SET	1	SET
	INC.	890901-8	* CAUTION LABEL FR/SP	1	PC.
89		896783-6	NAME PLATE F/LXRH01	1	PC.
90		266326-2	TAPPING SCREW 4X18	10	PC.
92		453124-5	CHANGE LEVER F/R	1	PC.
93		453123-7	SWITCH LEVER	1	PC.
94	1	650674-3	* SWITCH C3JW-1-P	1	PC.
	2	650709-0	* SWITCH C3JW-1-P	1	PC.
95		233598-4	TORSION SPRING 6	1	PC.
96		313226-8	OPENER	1	PC.
97	1	643859-8	TERMINAL	1	PC.
	2	644808-8	TERMINAL	1	PC.
98		424476-1	CUSHION	1	PC.
99		187377-1	BATTERY HOUSING SET	1	PC.
	INC.	263005-3	RUBBER PIN 6	2	PC.
100		263036-2	RUBBER PIN 5	1	PC.
101		268184-2	PIN 1.5	1	PC.

Item N	Type	Part No	Description	Qty	Unit
102		424473-7	CUSHION RUBBER	1	PC.
103		424473-7	CUSHION RUBBER	1	PC.
107		424734-5	* SPONGE (Added)	1	PC.
C01		872960-4	CARTON FOR LXRH01Z	1	PC.
D01		654281-4	RECEPTACLE	3	PC.
ACCESSORIES					
- See Catalogue or visit www.makita.ca for more accessories -					
A01		324219-0	DEPTH GAUGE	1	PC.
A02	1	DC18RA	CHARGER DC18RA	1	PC.
	2	DC18RC	CHARGER DC18RC	1	PC.
		DC24SC	CHARGER DC24SC	1	PC.
		DC18SE	AUTOMOTIVE CHARGER DC18SE	1	PC.
A03		194205-3	18V LI-ION BATTERY BL1830	1	PC.
		194230-4	18V LI-ION BATTERY BL1830 2PC/PK	1	PK
		194288-3	18V LI-ION BATTERY BL1830 10PC/PK	1	PK
A04		450128-8	BATTERY COVER	1	PC.
A05	1	141542-6	PLASTIC CASE COMPLETE FOR LXRH01	1	PC.
	INC.	162271-8	LATCH	2	PC.
	INC.	890904-2	INDICATION LABEL (PICTURE)	1	PC.
A05	2	141401-4	PLASTIC CASE COMPLETE FOR LXRH01	1	PC.
	INC.	162271-8	LATCH	2	PC.
	INC.	890904-2	INDICATION LABEL (PICTURE)	1	PC.
A05A	1	141543-4	PLASTIC CARRYING CASE FOR LXRH011	1	PC.
	INC.	162271-8	LATCH	2	PC.
	INC.	890904-2	INDICATION LABEL (PICTURE)	1	PC.
A05A	2	141402-2	PLASTIC CARRYING CASE FOR LXRH011	1	PC.
	INC.	162271-8	LATCH	2	PC.
	INC.	890904-2	INDICATION LABEL (PICTURE)	1	PC.
A07		DX01	DUST EXTRACTION SYSTEM (See Partsbreakdown DX01)	1	PC.
	INC.	424474-5	SEALING CAP	5	PC.
A09		122574-2	DRILL CHUCK ASS'Y	1	PC.
	INC.	192877-8	1/2" DRILL CHUCK	1	PC.
	INC.	751106-4	CHUCK ADAPTER	1	PC.
	INC.	251425-3	- FLAT HEAD SCREW M6X22	1	PC.
A10		192892-2	KEYLESS DRILL CHUCK	1	PC.
A11		D-14093	CHUCK ADAPTER, SDS-PLUS)	1	PC.
	INC.	751106-4	CHUCK ADAPTER	1	PC.
	INC.	251425-3	- FLANGE HEAD SCREW M6X22	1	PC.
A12		763432-9	CHUCK KEY S13	1	PC.
A13		191686-2	SAFETY GOGGLE	1	PC.
A14		194683-7	GREASE VESSEL SET, 100CC	1	PC.
A15		195048-6	DUSTCUP SET	1	PC.
A16		421342-3	DUST CUP 5	1	PC.
		421664-1	DUST CUP 9	1	PC.
A17		256806-6	ROD 10	1	PC.
		256815-5	ROD 15	1	PC.
A18		343411-9	CUTTER	1	PC.
A19	1	752031-2	CENTER BIT 8-100	1	PC.
	2	A-44074	CENTER BIT 8-100 FOR CORE BIT	1	PC.
A20		765009-6	BLOW-OUT BULB 64	1	PC.
A21		418165-8	JOINT 22-38	1	PC.

Item N Type	Part No	Description	Qty	Unit
A22	195833-7	HAMMER SERVICE KIT	1	PC.
	INC. 233992-0	RING SPRING 15	1	PC.
	INC. 424364-2	RUBBER WASHER 16	1	PC.
	INC. 233989-9	RING SRPING 14	1	PC.
	INC. 286288-8	CAP 35	1	PC.
	INC. 233979-2	RING SRPING 28	1	PC.
	INC. 216022-2	STEEL BALL 7.0	2	PC.
	INC. 213258-4	O-RING 17.5	1	PC.
	INC. 213073-6	O-RING 9	1	PC.
	INC. 195127-0	OIL VESSEL SET	2	PC.
A23	196162-1	DUST CASE SET	1	PC.
	INC. 196164-7	FILTER SET	1	PC.
	INC. 453150-4	FILTER COVER	1	PC.
A24	195048-6	DUSTCUP SET	1	PC.
	INC. 213310-8	O RING 20	1	PC.
	INC. 424268-8	CAP 39	1	PC.
	INC. 424269-6	DUST CAP	1	PC.
	INC. 451541-3	BELLOWS	1	PC.
	INC. 451542-1	ATTACHMENT	1	PC.
	INC. 451543-9	JOINT	1	PC.

SERVICE CHANGES

1. Changes on Controller

(TI#99503)

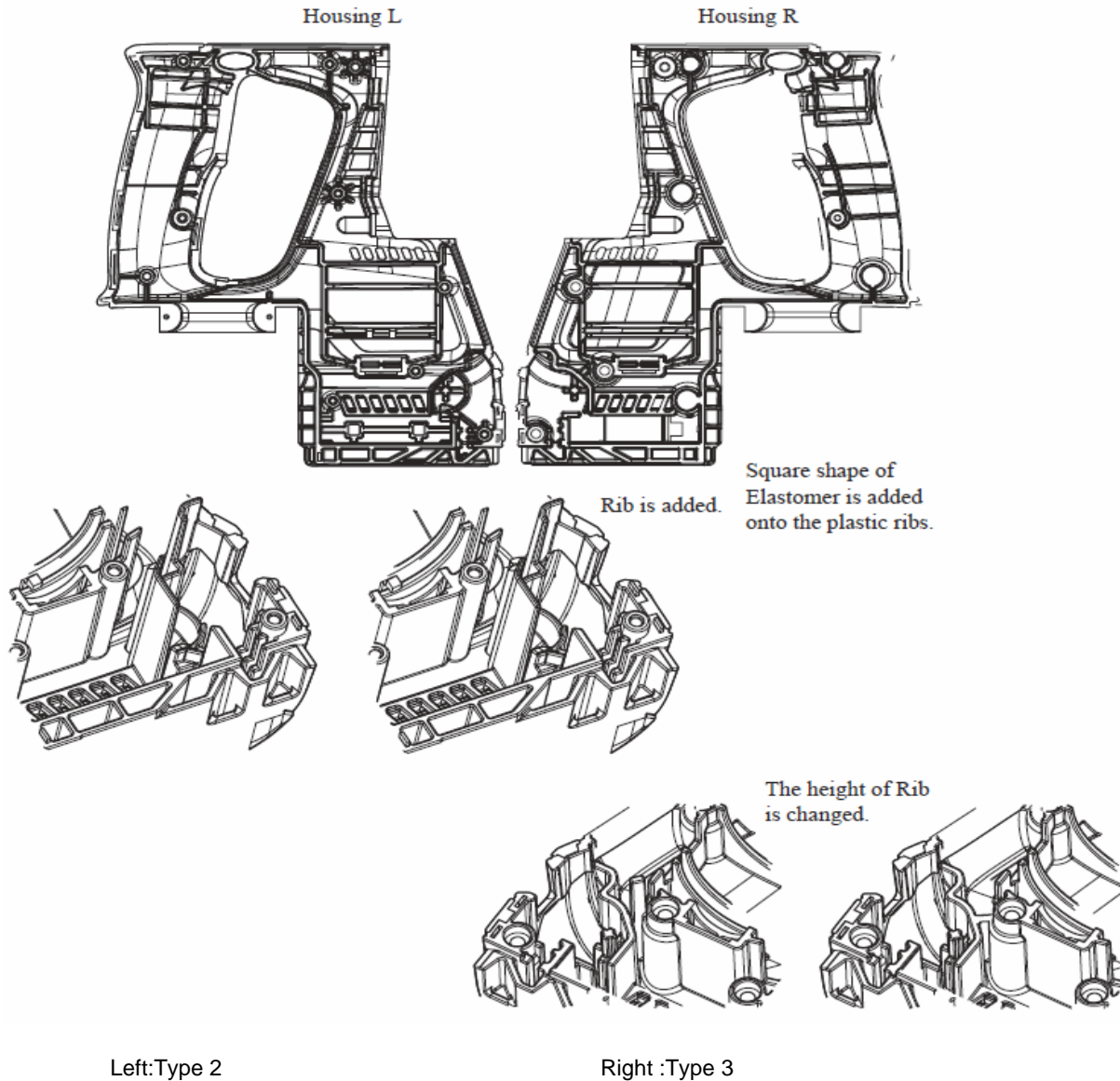
Item No.	Description	Type 1	Type 2
86	Controller	620096-1	620241-8
94	Switch C3JW-1-P	650674-3	650709-0

Above parts are completely interchangeable as a set.

2. Changes on Housing Set

(TI#A6091)

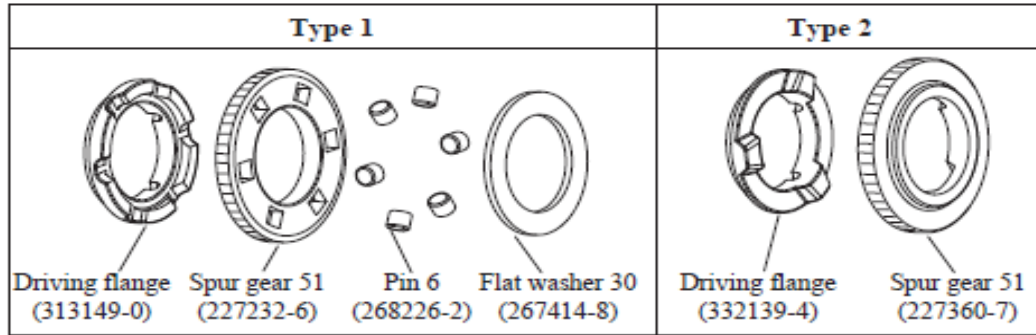
Item No.	Description	Type 2	Type 3
87	Housing Set	187690-7	890901-8
INC.	Caution Label FR/SP		890901-8



3. Changes on Spur gear 51 and Driving flange (TI#A6980)

Item No.	Description	Type 1	Type 2
32	Spur Gear 51	227232-6	227360-7
31	Driving Flange	313149-0	332139-4
34	Flat Washer 30	267414-8	-----
33	Pin 6	268226-2	-----

Above parts are completely interchangeable as a set.
From January 2015 Production



4. Changes on Stator (TI#Y07053)

Item No.	Description	Type 1	Type 2
32	Stator > Stator Assy	629922-1	529922-0

